

Sliding doors with underfloor drive

for special design requirements



record S 20 SU



record

your global partner for entrance solutions

record S 20 SU sliding doors with underfloor drive

The underfloor sliding door S 20 SU is a proven alternative to the conventional overhead mounted sliding door drive and meets the requirements of modern buildings. The virtually invisible drive system enhances every entrance area, allowing buildings to appear at their best. The doors can be tilted up to 10° and integrate well even in unusual architectures. Passageways up to a maximum width of 3000 mm and a height of 3000 mm can be realised compliant with standards (EN 16005).

The drive concept of the record S 20 SU sliding door is based on the proven System 20 drive system and is suitable for demanding exterior applications. Equipped with stainless steel housing, enclosed drive module and a special dirt and water drainage system, safe and optimum operation is guaranteed.

Product features

- Invisible, concealed installation
- For single and double-leaf doors with different dimensions (see table)
- Modular, flexible system based on the record System 20
- Seamless integration in all-glass façades
- Quiet drive technology
- Long service life with regular maintenance

Passage width A (mm)	800 – 3000
Passage height G (mm)	max. 3000
Installation height upper panelling (mm)	min. 59
Overall width (mm)	1700 – 6100 (2 x A + 100)

Dimensions underfloor housing	
Width (mm)	min. 300
Depth (mm)	min. 170
Beam length F (mm)	1700 – 6100 (2 x A + 100)

Specifications	
1-leaf	max. 1 x 250 kg
2-leaf	max. 2 x 200 kg
Opening and closing speed	max. 0.7 m/s

Certificates and permits	
TÜV type	yes, incl. EN 16005
Escape route approval	yes

Dimensions of door



Surfaces

Any standard RAL colour, powder-coated or anodised. Optional: Stainless steel coatings in quality V2A or V4A (1.4301/1.4404), bronze or brass.

Profiles / glazing

(taking into account the max. door leaf weights)

Commercially available, wet silicone toughened safety glass (ESG), laminated safety glass (VSG) or insulating glass, partly also with burglar-resistant property P4A/P5A. Further types of glazing on request.

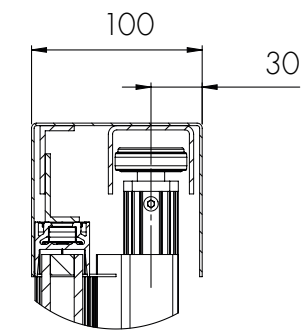
Profile system 20	max. glass thickness 10 mm
Profile system 30	max. glass thickness 24 mm
Special profile*	max. glass thickness 38 mm

* without certificate

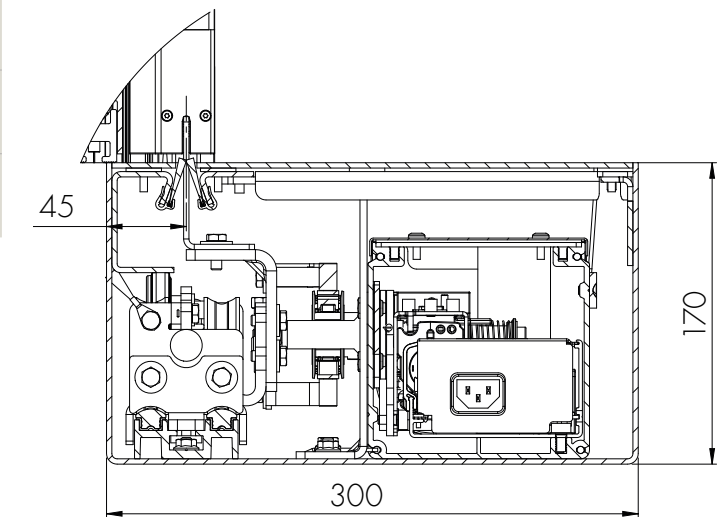
Different profile systems for different requirements are available to choose from.

Vertical cut

The example shows the upper guide rail with door leaf and side part. Aluminium housing (optionally available in V2A or V4A stainless steel; other versions are also possible).



Underfloor drive integrated in a stainless steel trough with cover built into the floor. Optional V2A or V4A.



Caution: Drainage flange must be connected on site so that water can be drained (regulation for all underfloor drives).

Standard Design

- Single or double-leaf design, with and without side parts
- Aluminium covering in any RAL colour
- Stainless steel floor housing V2A (1.4301)
- Drive module completely enclosed
- Guide rail and drive panelling top
- Control switch with graphic and text display

Options

- Locking unit
- Stainless steel floor housing V4A (1.4404)

- Emergency stop switch
- Tripping and safety sensors
- Manual unlocking mechanism for interior and exterior doors
- Batteries for emergency movement (NiMH) in case of power failure
- Monitoring contacts for door leaf position and locking status
- Cover frame for receiving a floor covering provided by the customer



Visualise your entrance area with the augmented reality app



record UK Limited

Head Office
Unit D, 9 Watt Place
Hamilton International Park
Blantyre, G72 0AH – UK
tel.: +44 1698 376411
www.recorduk.co.uk

Northern Office
Unit 2, Shaw Cross Court
Horace Waller V C Parade
Shaw Cross Business Park
Dewsbury, WF12 7RF – UK

Midland Office
4th Floor, Townend House
Park Street
Walsall, WS1 1NS

Southern Office
17 Invincible Road
Farnborough
GU14 7QU – UK

Headquartered in Switzerland, the record group sells its products and services across the globe and is directly present with subsidiaries in many countries.

Global sales and service contacts: www.record.group/countries

